

PROJECT-OUT WINDOW 3-9
OUTSWING CASEMENT WINDOW..... 10-15
THERMAL CHARTS 16-25

Laws and building and safety codes governing the design and use of Kawneer products, such as glazed entrance, window, and curtain wall products, vary widely. Kawneer does not control the selection of product configurations, operating hardware, or glazing materials, and assumes no responsibility therefor.

Kawneer reserves the right to change configuration without prior notice when deemed necessary for product improvement.
 © 2015, Kawneer Company, Inc.

Metric (SI) conversion figures are included throughout these details for reference. Numbers in parentheses () are millimeters unless otherwise noted.

The following metric (SI) units are found in these details:

- m – meter
- cm – centimeter
- mm – millimeter
- s – second
- Pa – pascal
- MPa – megapascal

Laws and building and safety codes governing the design and use of Kawneer products, such as glazed entrance, window, and curtain wall products, vary widely. Kawneer does not control the selection of product configurations, operating hardware, or glazing materials, and assumes no responsibility therefor.

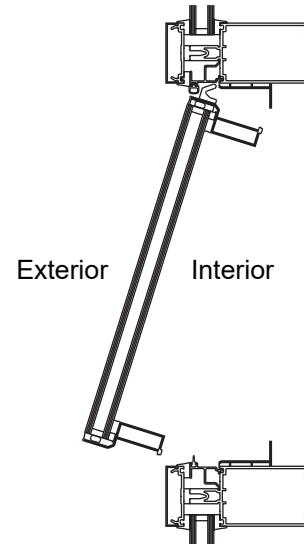
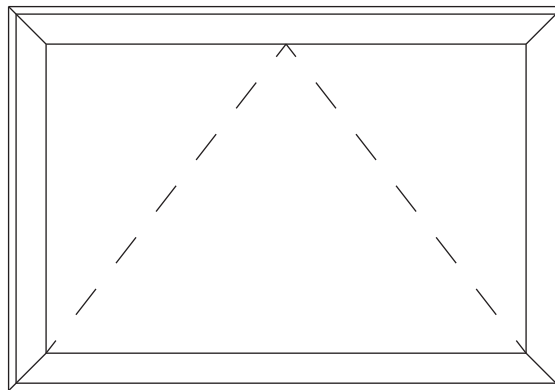
Kawneer reserves the right to change configuration without prior notice when deemed necessary for product improvement.
© 2015, Kawneer Company, Inc.

Features

- Architectural Grade Window
- Tested to US and Canadian Standards
- 45° Mitered Vent and Frame Corners
- Staked Corner Joinery
- Architectural Anodized Finishes and Applied Coatings

Laws and building and safety codes governing the design and use of Kawneer products, such as glazed entrance, window, and curtain wall products, vary widely. Kawneer does not control the selection of product configurations, operating hardware, or glazing materials, and assumes no responsibility therefor.

Kawneer reserves the right to change configuration without prior notice when deemed necessary for product improvement.
© 2015, Kawneer Company, Inc.



For specific product applications,
consult your Kawneer representative.

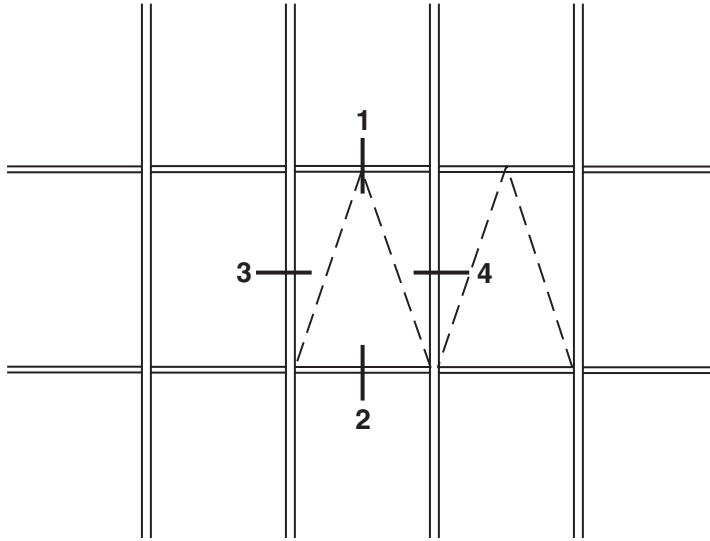
| | |
|-------------------------------|---|
| CLASS and GRADE | Architectural Grade AW-PG90 / AW-PG90C |
| TESTING STANDARD | AAMA / WDMA / CSA / 101 / I.S.2 / A440 (NAFS) |
| SYSTEM DEPTH | 3-7/16" Overall System Depth (1" Infill) 2-11/16" Overall System Depth (1/4" Infill) |
| TYPICAL WALL THICKNESS | 0.125 Nominal Frame |
| TYPICAL MAX. VENT SIZE | 60" x 72" |
| TYPICAL MIN. VENT SIZE | 12" x 12" |
| INFILL OPTIONS | 1" and 1/4" |
| STANDARD HARDWARE | Stainless Steel 4-Bar Hinges Cast White Bronze Cam Lock 4-Bar Limit Stop 88SS Support Arms |
| OPTIONAL HARDWARE | Cam Lock with Pole Ring Sash Pole Pole Ring Access Control Lock Concealed Lock with removable key |
| OTHER OPTIONS | Insect Screens |

Laws and building and safety codes governing the design and use of Kawneer products, such as glazed entrance, window, and curtain wall products, vary widely. Kawneer does not control the selection of product configurations, operating hardware, or glazing materials, and assumes no responsibility therefor.

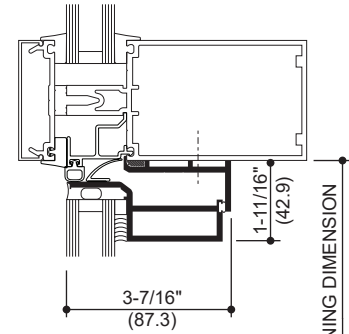
Kawneer reserves the right to change configuration without prior notice when deemed necessary for product improvement.
© 2015, Kawneer Company, Inc.

Additional information and CAD details are available at www.kawneer.com

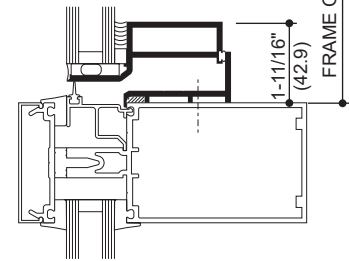
1" STRUCTURAL SILICONE GLAZING



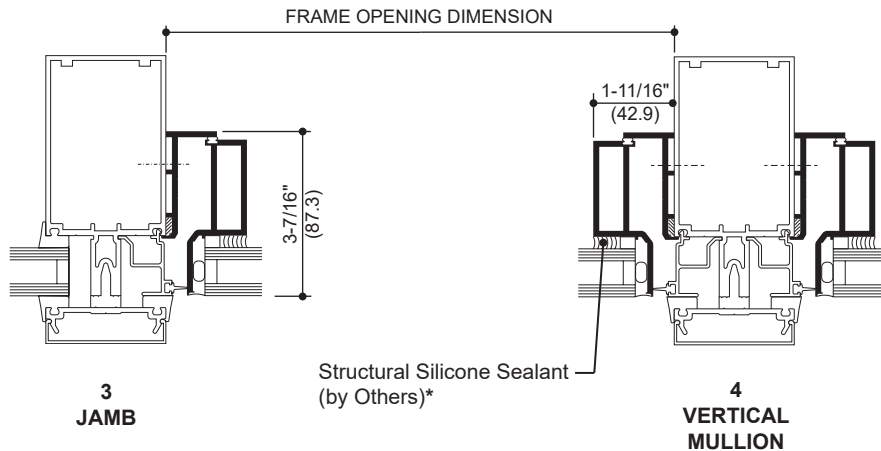
1 HEAD



2 SILL



*** INSTALLER NOTE:** Installer is responsible for all required compatibility review and approvals with the Structural Silicone Manufacturer and the Insulated Glass Unit Manufacturers.



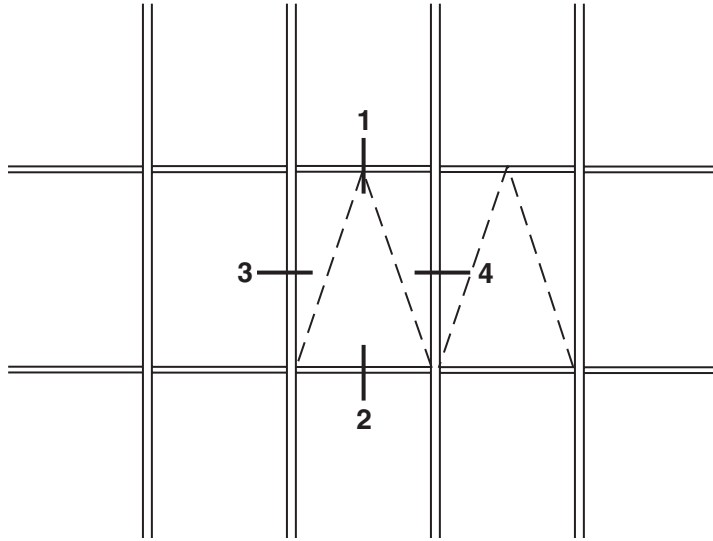
NOTE: THE KAWNEER GLASSvent® WINDOW IS SHOWN IN THESE DETAILS WITH 1600 WALL SYSTEM®1 CURTAIN WALL FOR REFERENCE. OTHER KAWNEER SYSTEMS CAN BE USED. FOR PRODUCT SPECIFIC APPLICATIONS CONSULT YOUR KAWNEER REPRESENTATIVE.

Laws and building and safety codes governing the design and use of Kawneer products, such as glazed entrance, window, and curtain wall products, vary widely. Kawneer does not control the selection of product configurations, operating hardware, or glazing materials, and assumes no responsibility therefor.

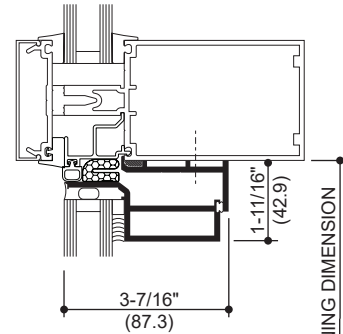
Kawneer reserves the right to change configuration without prior notice when deemed necessary for product improvement.
© 2015, Kawneer Company, Inc.

Additional information and CAD details are available at www.kawneer.com

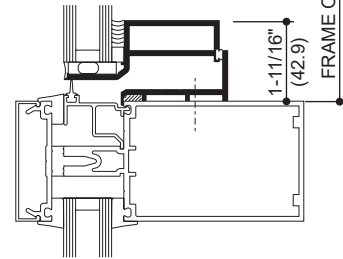
1" STRUCTURAL SILICONE GLAZING



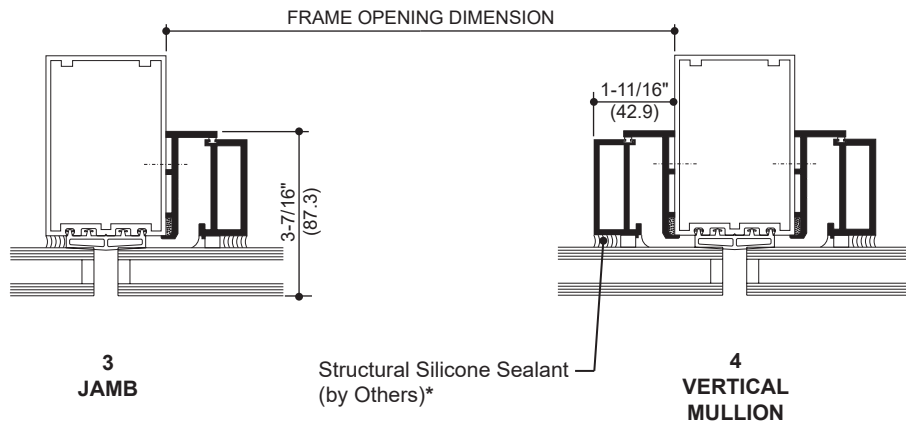
1 HEAD



2 SILL



*** INSTALLER NOTE:** Installer is responsible for all required compatibility review and approvals with the Structural Silicone Manufacturer and the Insulated Glass Unit Manufacturers.



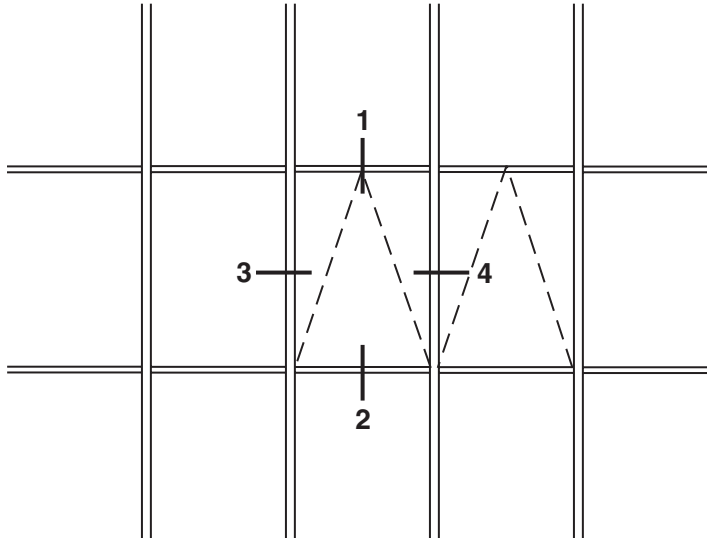
NOTE: THE KAWNEER GLASSvent® WINDOW IS SHOWN IN THESE DETAILS WITH 1600 WALL SYSTEM®2 CURTAIN WALL FOR REFERENCE. OTHER KAWNEER SYSTEMS CAN BE USED. FOR PRODUCT SPECIFIC APPLICATIONS CONSULT YOUR KAWNEER REPRESENTATIVE.

Laws and building and safety codes governing the design and use of Kawneer products, such as glazed entrance, window, and curtain wall products, vary widely. Kawneer does not control the selection of product configurations, operating hardware, or glazing materials, and assumes no responsibility therefor.

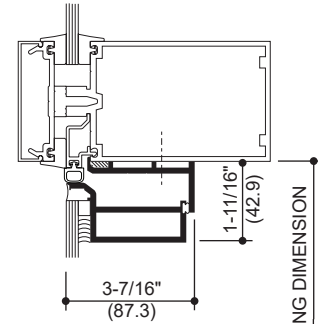
Kawneer reserves the right to change configuration without prior notice when deemed necessary for product improvement.
© 2015, Kawneer Company, Inc.

Additional information and CAD details are available at www.kawneer.com

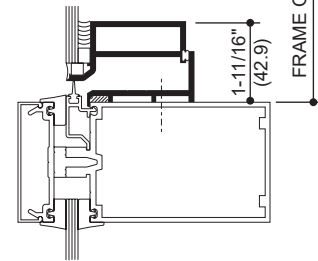
1/4" STRUCTURAL SILICONE GLAZING



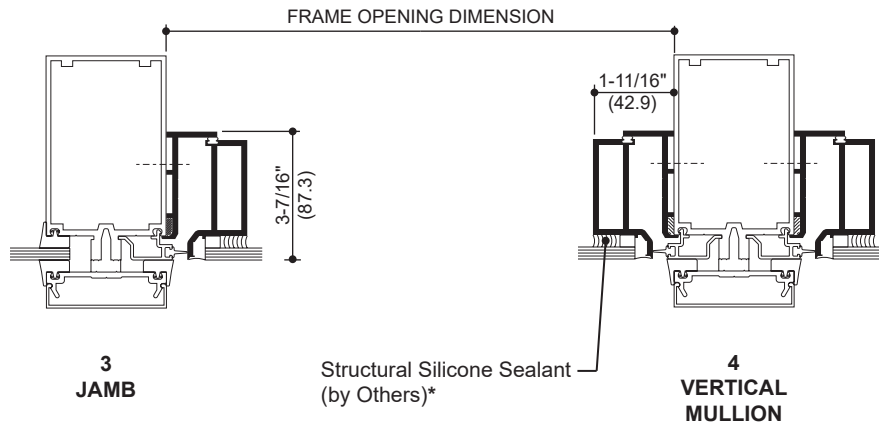
1 HEAD



2 SILL



*** INSTALLER NOTE:** Installer is responsible for all required compatibility review and approvals with the Structural Silicone Manufacturer and the Insulated Glass Unit Manufacturers.



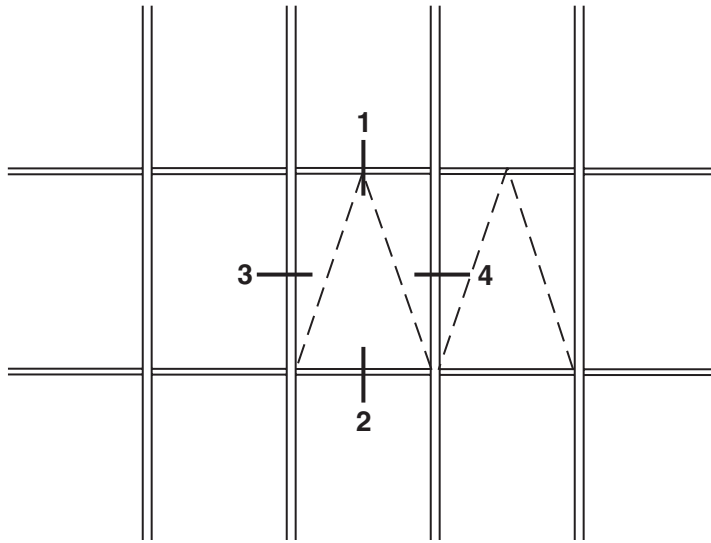
NOTE: THE KAWNEER GLASSvent® WINDOW IS SHOWN IN THESE DETAILS WITH 1600 WALL SYSTEM®1 CURTAIN WALL FOR REFERENCE. OTHER KAWNEER SYSTEMS CAN BE USED. FOR PRODUCT SPECIFIC APPLICATIONS CONSULT YOUR KAWNEER REPRESENTATIVE.

Laws and building and safety codes governing the design and use of Kawneer products, such as glazed entrance, window, and curtain wall products, vary widely. Kawneer does not control the selection of product configurations, operating hardware, or glazing materials, and assumes no responsibility therefor.

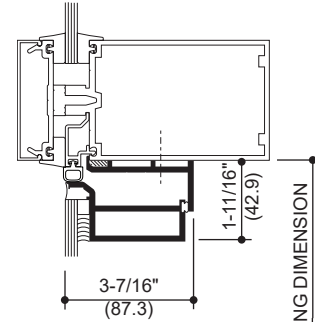
Kawneer reserves the right to change configuration without prior notice when deemed necessary for product improvement.
© 2015, Kawneer Company, Inc.

Additional information and CAD details are available at www.kawneer.com

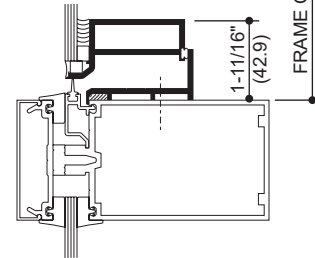
1/4" STRUCTURAL SILICONE GLAZING



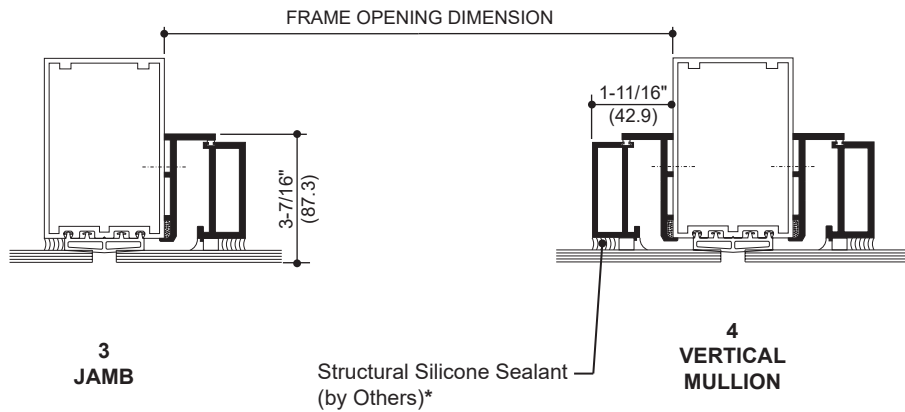
1 HEAD



2 SILL



*** INSTALLER NOTE:** Installer is responsible for all required compatibility review and approvals with the Structural Silicone Manufacturer and the Insulated Glass Unit Manufacturers.

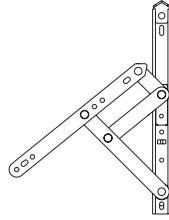


NOTE: THE KAWNEER GLASSvent® WINDOW IS SHOWN IN THESE DETAILS WITH 1600 WALL SYSTEM®2 CURTAIN WALL FOR REFERENCE. OTHER KAWNEER SYSTEMS CAN BE USED. FOR PRODUCT SPECIFIC APPLICATIONS CONSULT YOUR KAWNEER REPRESENTATIVE.

Laws and building and safety codes governing the design and use of Kawneer products, such as glazed entrance, window, and curtain wall products, vary widely. Kawneer does not control the selection of product configurations, operating hardware, or glazing materials, and assumes no responsibility therefor.

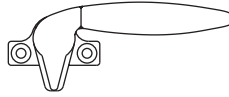
Kawneer reserves the right to change configuration without prior notice when deemed necessary for product improvement.
© 2015, Kawneer Company, Inc.

**STAINLESS STEEL
4 BAR HINGES**



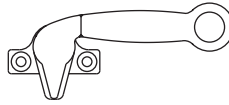
A standard hinge for ventilators providing approximately 45° to 60° openings depending on size. An optional limit stop is available to restrict hinge travel and limit vent opening. Verify with application engineering project specific limit stop requirements based on window size.

CAM HANDLE



Cast white bronze cam handles are standard for the manual operation and locking of ventilators.

**CAM HANDLE
WITH POLE RING**



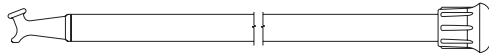
Cast white bronze cam handles with pole ring provide manual operation of ventilators located above reach. These handles are operated with a sash pole.

POLE RING



Cast white bronze pole ring is used in conjunction with locking hardware for sash pole operation of ventilators.

SASH POLE



A 3/4" diameter aluminum sash pole with a cast white bronze pull down hook and black rubber tip. Available in 6 ft. and 12 ft. lengths with optional cast white bronze Pole Hanger.

**HANGER
FOR SASH POLE**

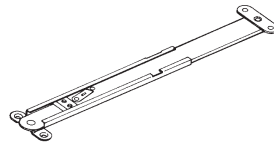


**ACCESS CONTROL
LOCK**



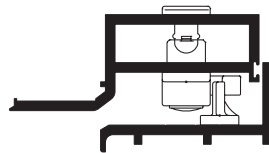
In lieu of cam handles cast white bronze access control locks are offered for managed control of vent operations. Lock is operated with a manganese bronze removable handle.

**88 SS SUPPORT
ARMS**



Support Arms are used when the curtain wall day light opening height exceeds 48". When fully extended, the hardware automatically retains the ventilator in an open position.

CONCEALED LOCK



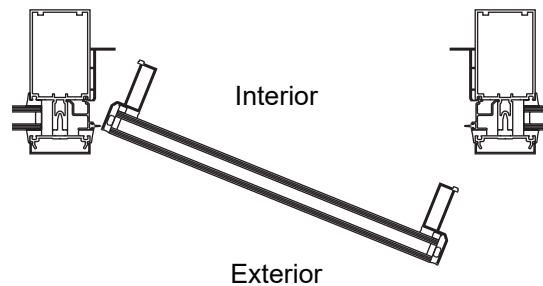
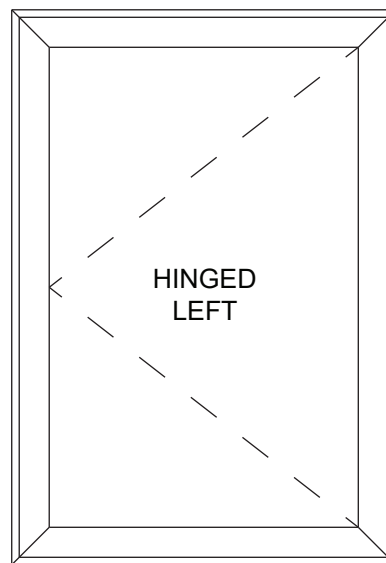
In lieu of cam handles cast white bronze concealed locks are offered for managed control of vent operations. Lock is operated with a removable key.

Laws and building and safety codes governing the design and use of Kawneer products, such as glazed entrance, window, and curtain wall products, vary widely. Kawneer does not control the selection of product configurations, operating hardware, or glazing materials, and assumes no responsibility therefor.

Kawneer reserves the right to change configuration without prior notice when deemed necessary for product improvement.
© 2015, Kawneer Company, Inc.

Features

- Architectural Grade Window
- Tested to US and Canadian Standards
- 45° Mitered Vent and Frame Corners
- Staked Corner Joinery
- Architectural Anodized Finishes and Applied Coatings



For specific product applications,
consult your Kawneer representative.

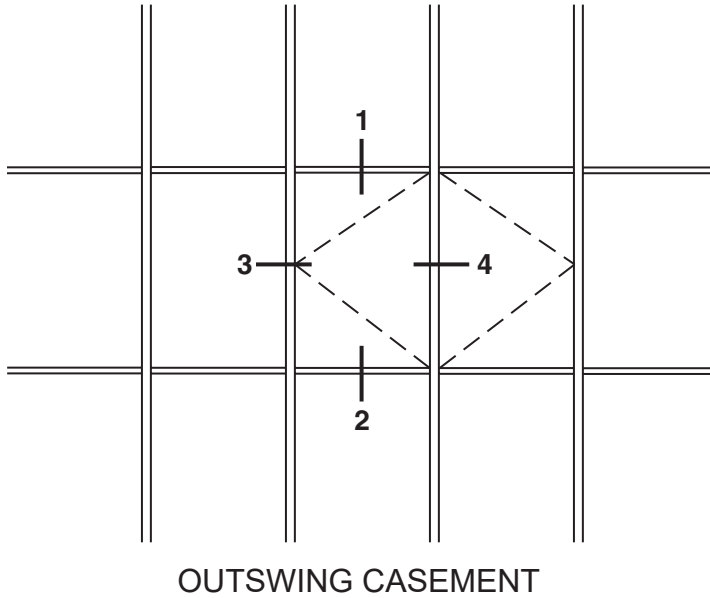
| | |
|-------------------------------|---|
| CLASS and GRADE | Architectural Grade AW-PG90 / AW-PG90C |
| TESTING STANDARD | AAMA / WDMA / CSA / 101 / I.S.2 / A440 (NAFS) |
| SYSTEM DEPTH | 3-7/16" Overall System Depth (1" Infill) 2-11/16" Overall System Depth (1/4" Infill) |
| TYPICAL WALL THICKNESS | 0.125 Nominal Frame |
| TYPICAL MAX. VENT SIZE | 31" x 72" or 36" x 63" (1" Infill) 36" x 72" (1/4" Infill) |
| TYPICAL MIN. VENT SIZE | 14" x 14" |
| INFILL OPTIONS | 1" and 1/4" |
| STANDARD HARDWARE | Stainless Steel 4-Bar Hinges Cast White Bronze Cam Handles |
| OPTIONAL HARDWARE | Cam Lock with Pole Ring SashPole Pole Ring Access Control Locks Multi-Point Lock Hook Bolt Lock Concealed Lock with removable key |
| OTHER OPTIONS | Insect Screens |

Laws and building and safety codes governing the design and use of Kawneer products, such as glazed entrance, window, and curtain wall products, vary widely. Kawneer does not control the selection of product configurations, operating hardware, or glazing materials, and assumes no responsibility therefor.

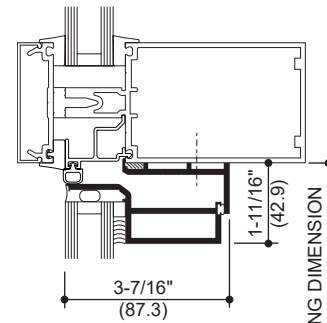
Kawneer reserves the right to change configuration without prior notice when deemed necessary for product improvement.
© 2015, Kawneer Company, Inc.

Additional information and CAD details are available at www.kawneer.com

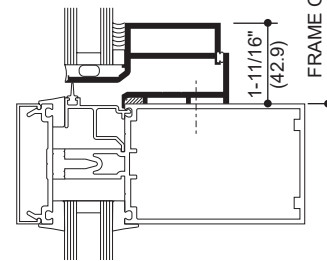
1" STRUCTURAL SILICONE GLAZING



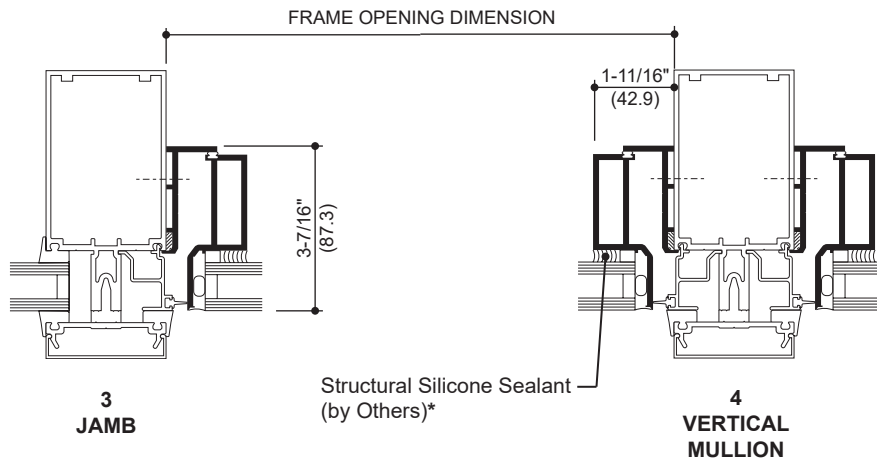
1
HEAD



2
SILL



*** INSTALLER NOTE:** Installer is responsible for all required compatibility review and approvals with the Structural Silicone Manufacturer and the Insulated Glass Unit Manufacturers.



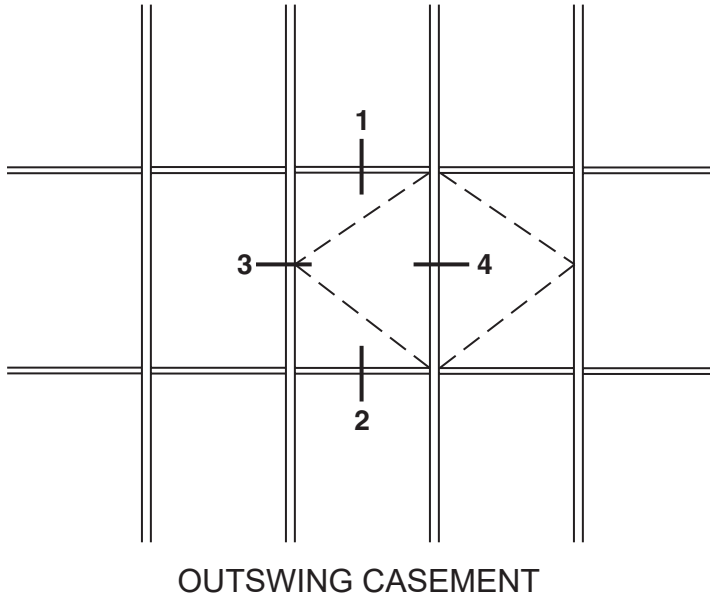
NOTE: THE KAWNEER GLASSvent® WINDOW IS SHOWN IN THESE DETAILS WITH 1600 WALL SYSTEM®1 CURTAIN WALL FOR REFERENCE. OTHER KAWNEER SYSTEMS CAN BE USED. FOR PRODUCT SPECIFIC APPLICATIONS CONSULT YOUR KAWNEER REPRESENTATIVE.

Laws and building and safety codes governing the design and use of Kawneer products, such as glazed entrance, window, and curtain wall products, vary widely. Kawneer does not control the selection of product configurations, operating hardware, or glazing materials, and assumes no responsibility therefor.

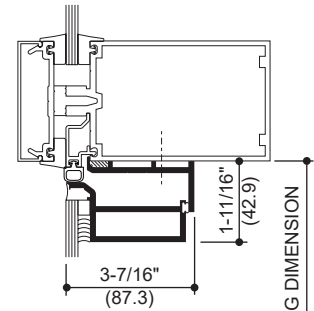
Kawneer reserves the right to change configuration without prior notice when deemed necessary for product improvement.
© 2015, Kawneer Company, Inc.

Additional information and CAD details are available at www.kawneer.com

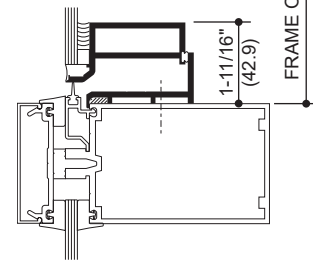
1/4" STRUCTURAL SILICONE GLAZING



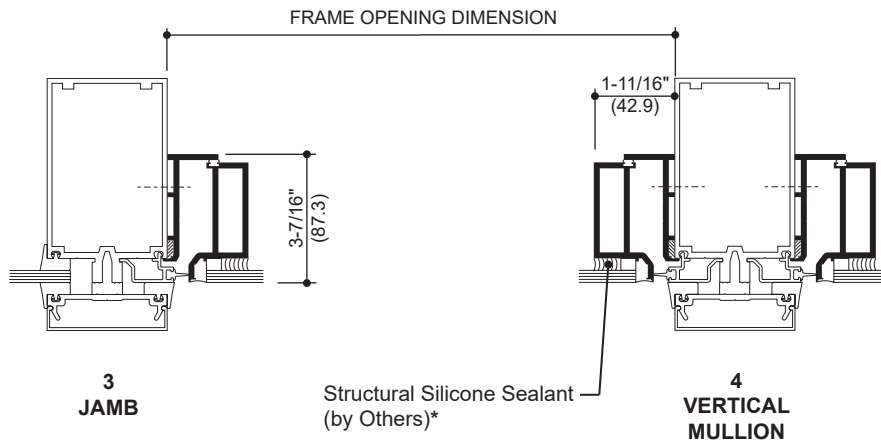
1 HEAD



2 SILL



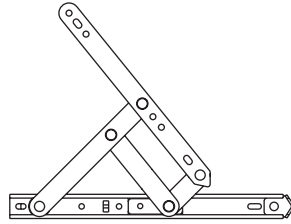
*** INSTALLER NOTE:** Installer is responsible for all required compatibility review and approvals with the Structural Silicone Manufacturer and the Insulated Glass Unit Manufacturers.



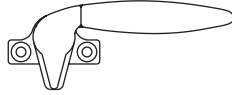
NOTE: THE KAWNEER GLASSvent® WINDOW IS SHOWN IN THESE DETAILS WITH 1600 WALL SYSTEM®1 CURTAIN WALL FOR REFERENCE. OTHER KAWNEER SYSTEMS CAN BE USED. FOR PRODUCT SPECIFIC APPLICATIONS CONSULT YOUR KAWNEER REPRESENTATIVE.

Laws and building and safety codes governing the design and use of Kawneer products, such as glazed entrance, window, and curtain wall products, vary widely. Kawneer does not control the selection of product configurations, operating hardware, or glazing materials, and assumes no responsibility therefor.

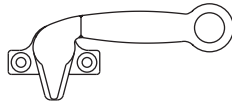
Kawneer reserves the right to change configuration without prior notice when deemed necessary for product improvement.
© 2015, Kawneer Company, Inc.

**STAINLESS STEEL
4 BAR HINGES**

A standard hinge for ventilators providing approximately 45° to 60° openings depending on size. An optional limit stop is available to restrict hinge travel and limit vent opening. Verify with application engineering project specific limit stop requirements based on window size.

CAM HANDLE

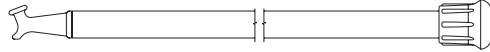
Cast white bronze cam handles are standard for the manual operation and locking of ventilators.

**CAM HANDLE
WITH POLE RING**

Cast white bronze cam handles with pole ring provide manual operation of ventilators located above reach. These handles are operated with a sash pole.

POLE RING

Cast white bronze pole ring is used in conjunction with locking hardware for sash pole operation of ventilators.

SASH POLE

A 3/4" diameter aluminum sash pole with a cast white bronze pull down hook and black rubber tip. Available in 6 ft. and 12 ft. lengths with optional cast white bronze Pole Hanger.

**HANGER
FOR SASH POLE****ACCESS CONTROL
LOCK**

In lieu of cam handles cast white bronze access control locks are offered for managed control of vent operations. Lock is operated with a manganese bronze removable handle.

HOOK BOLT LOCK

For use with pivot-shoe roto operator in lieu of cam handles. Standard finish shall be US-25-D clear white bronze.

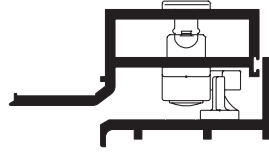
MULTI-POINT LOCK

Optional single locking handle for concealed multi-point locks located on the vertical frame. Standard finish shall be US-25-D clear white bronze.

Laws and building and safety codes governing the design and use of Kawneer products, such as glazed entrance, window, and curtain wall products, vary widely. Kawneer does not control the selection of product configurations, operating hardware, or glazing materials, and assumes no responsibility therefor.

Kawneer reserves the right to change configuration without prior notice when deemed necessary for product improvement.
© 2015, Kawneer Company, Inc.

CONCEALED LOCK

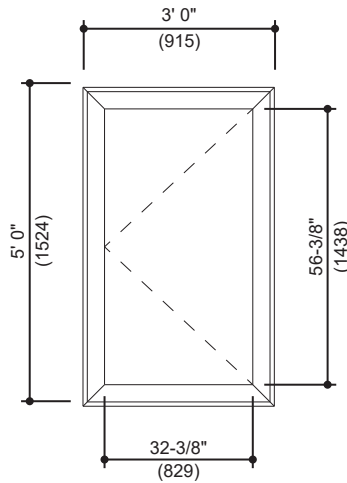


In lieu of cam handles cast white bronze concealed locks are offered for managed control of vent operations. Lock is operated with a removable key.

Laws and building and safety codes governing the design and use of Kawneer products, such as glazed entrance, window, and curtain wall products, vary widely. Kawneer does not control the selection of product configurations, operating hardware, or glazing materials, and assumes no responsibility therefor.

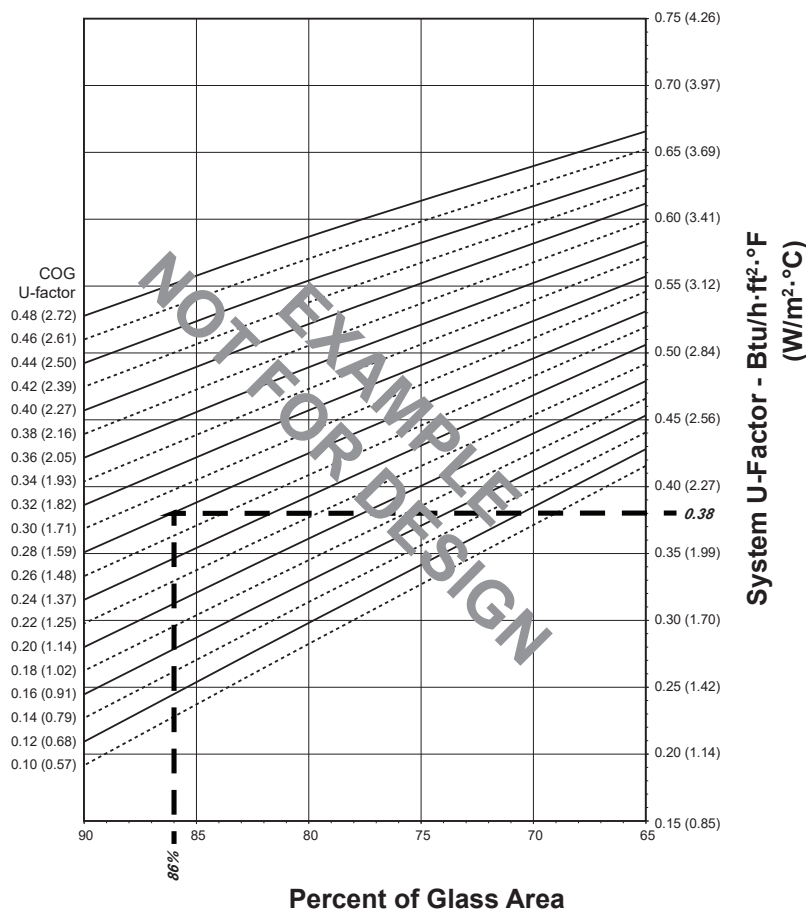
Kawneer reserves the right to change configuration without prior notice when deemed necessary for product improvement.
© 2015, Kawneer Company, Inc.

Generic Project Specific U-factor Example Calculation
 (Percent of Glass will vary on specific products depending on sitelines)



Example Glass U-Factor = 0.28 Btu/hr • ft² • °F
 Total Daylight Opening = 32-3/8" • 56-3/8" = 12.83ft²
 Total Projected Area = 3' 0" • 5' 0" = 15 ft²
 Percent of Glass = (Total Daylight Opening ÷ Total Projected Area)100
 = (12.83 ÷ 15)100 = 86%

System U-factor vs Percent of Glass Area



Based on 86% glass and center of glass (COG) U-factor of 0.28
 System U-factor is equal to 0.38 Btu/hr • ft² • °F

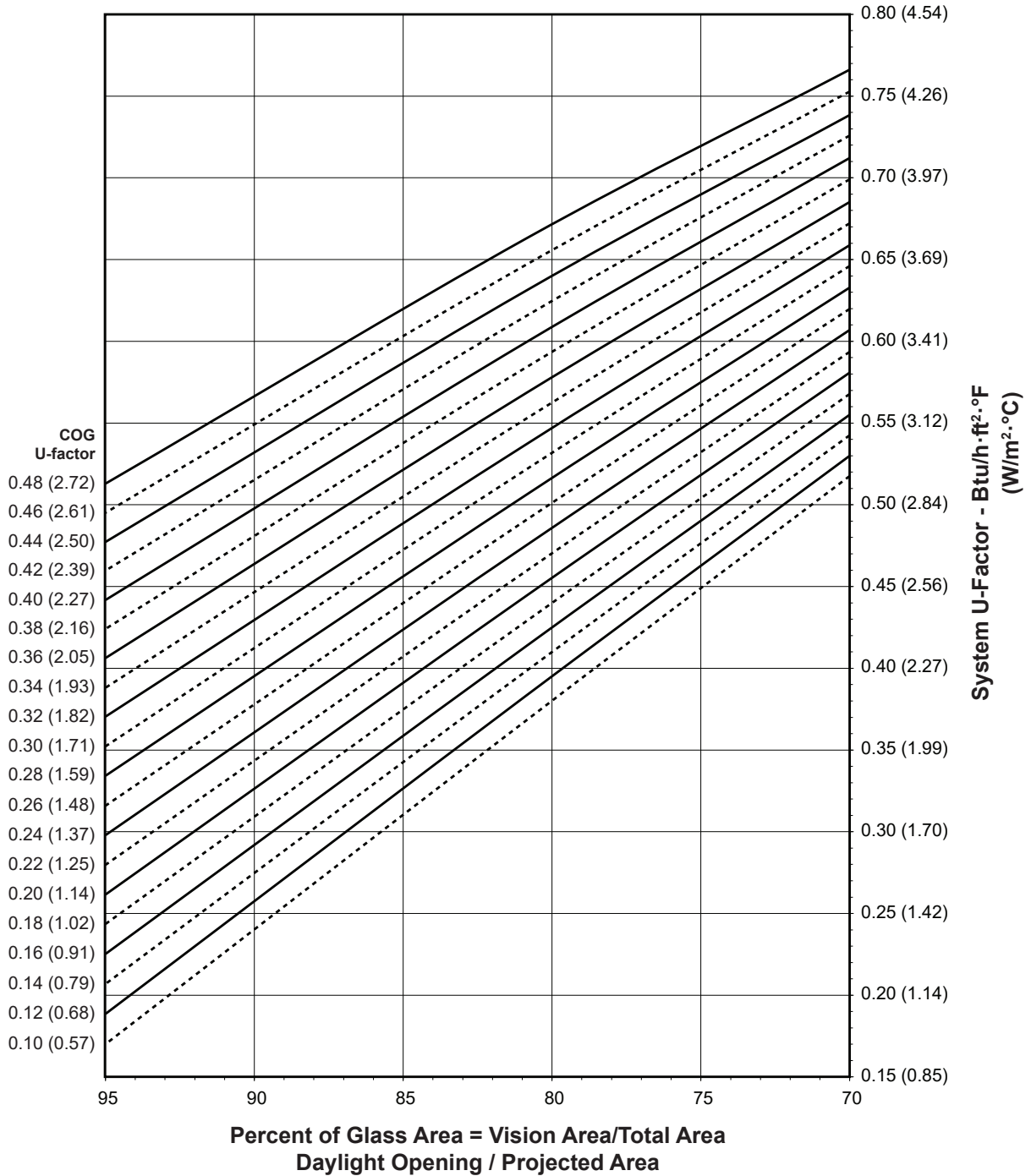
Laws and building and safety codes governing the design and use of Kawneer products, such as glazed entrance, window, and curtain wall products, vary widely. Kawneer does not control the selection of product configurations, operating hardware, or glazing materials, and assumes no responsibility therefor.

Kawneer reserves the right to change configuration without prior notice when deemed necessary for product improvement.
 © 2015, Kawneer Company, Inc.

Note:
 Values in parentheses are metric.
 COG=Center of Glass.
 Charts are generated per AAMA 507.

**GLASSvent® - Projecting (Awning - Single)
 1" Double Glazed - Warm-Edge Glazing Spacer**

System U-Factor for Vision Glass



Notes for System U-factor, SHGC and VT charts:

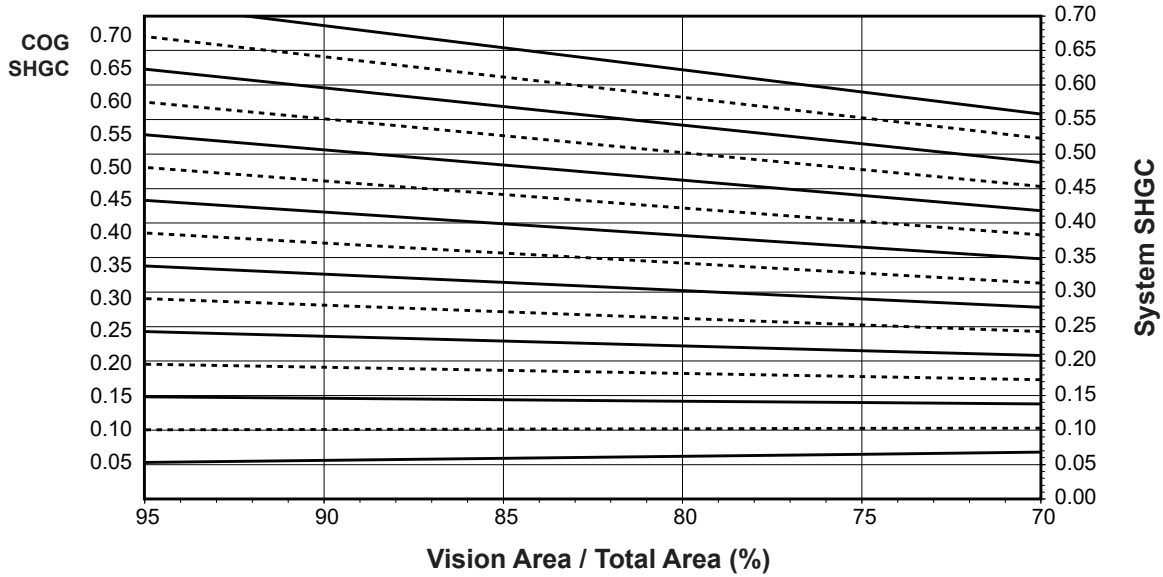
For glass values that are not listed, linear interpolation is permitted.
 Glass properties are based on center of glass values and are obtained from your glass supplier.

Laws and building and safety codes governing the design and use of Kawneer products, such as glazed entrance, window, and curtain wall products, vary widely. Kawneer does not control the selection of product configurations, operating hardware, or glazing materials, and assumes no responsibility therefor.

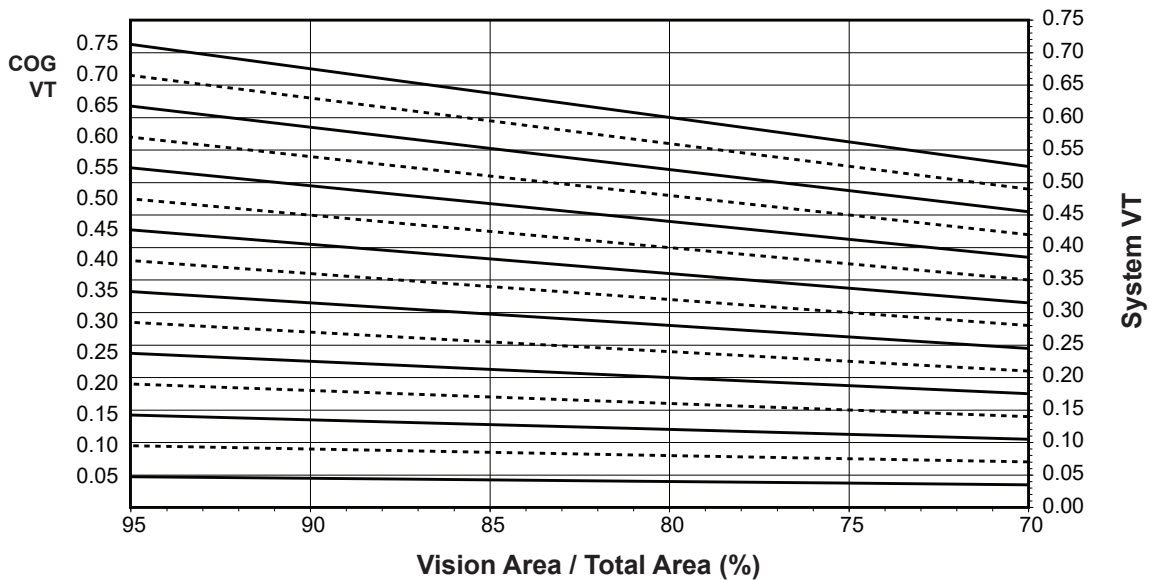
Kawneer reserves the right to change configuration without prior notice when deemed necessary for product improvement.
 © 2015, Kawneer Company, Inc.

**GLASSvent® - Projecting (Awning - Single)
1" Double Glazed - Warm-Edge Glazing Spacer**

System Solar Heat Gain Coefficient (SHGC) vs Percent of Vision Area



System Visible Transmittance (VT) vs Percent of Vision Area



Laws and building and safety codes governing the design and use of Kawneer products, such as glazed entrance, window, and curtain wall products, vary widely. Kawneer does not control the selection of product configurations, operating hardware, or glazing materials, and assumes no responsibility therefor.

Kawneer reserves the right to change configuration without prior notice when deemed necessary for product improvement.
© 2015, Kawneer Company, Inc.

Thermal Transmittance ¹ (BTU/hr • ft ² • °F)

| Glass U-Factor ³ | Overall U-Factor ⁴ |
|-----------------------------|-------------------------------|
| 0.48 | 0.66 |
| 0.46 | 0.65 |
| 0.44 | 0.63 |
| 0.42 | 0.62 |
| 0.40 | 0.60 |
| 0.38 | 0.58 |
| 0.36 | 0.57 |
| 0.34 | 0.55 |
| 0.32 | 0.54 |
| 0.30 | 0.52 |
| 0.28 | 0.51 |
| 0.26 | 0.49 |
| 0.24 | 0.48 |
| 0.22 | 0.46 |
| 0.20 | 0.44 |
| 0.18 | 0.43 |
| 0.16 | 0.41 |
| 0.14 | 0.40 |
| 0.12 | 0.38 |
| 0.10 | 0.37 |

**GLASSvent®
Projecting (Awning - Single)
1" Double Glazed
Warm-Edge Glazing Spacer**

NOTE: For glass values that are not listed, linear interpolation is permitted.

1. U-Factors are determined in accordance with NFRC 100.
2. SHGC and VT values are determined in accordance with NFRC 200.
3. Glass properties are based on center of glass values and are obtained from your glass supplier.
4. Overall U-Factor, SHGC, and VT Matricies are based on the standard NFRC specimen size of 1,500 mm wide by 600 mm high (59-1/16" by 23-5/8").

SHGC Matrix ²

| Glass SHGC ³ | Overall SHGC ⁴ |
|-------------------------|---------------------------|
| 0.75 | 0.63 |
| 0.70 | 0.59 |
| 0.65 | 0.55 |
| 0.60 | 0.51 |
| 0.55 | 0.47 |
| 0.50 | 0.43 |
| 0.45 | 0.38 |
| 0.40 | 0.34 |
| 0.35 | 0.30 |
| 0.30 | 0.26 |
| 0.25 | 0.22 |
| 0.20 | 0.18 |
| 0.15 | 0.14 |
| 0.10 | 0.10 |
| 0.05 | 0.06 |

Visible Transmittance ²

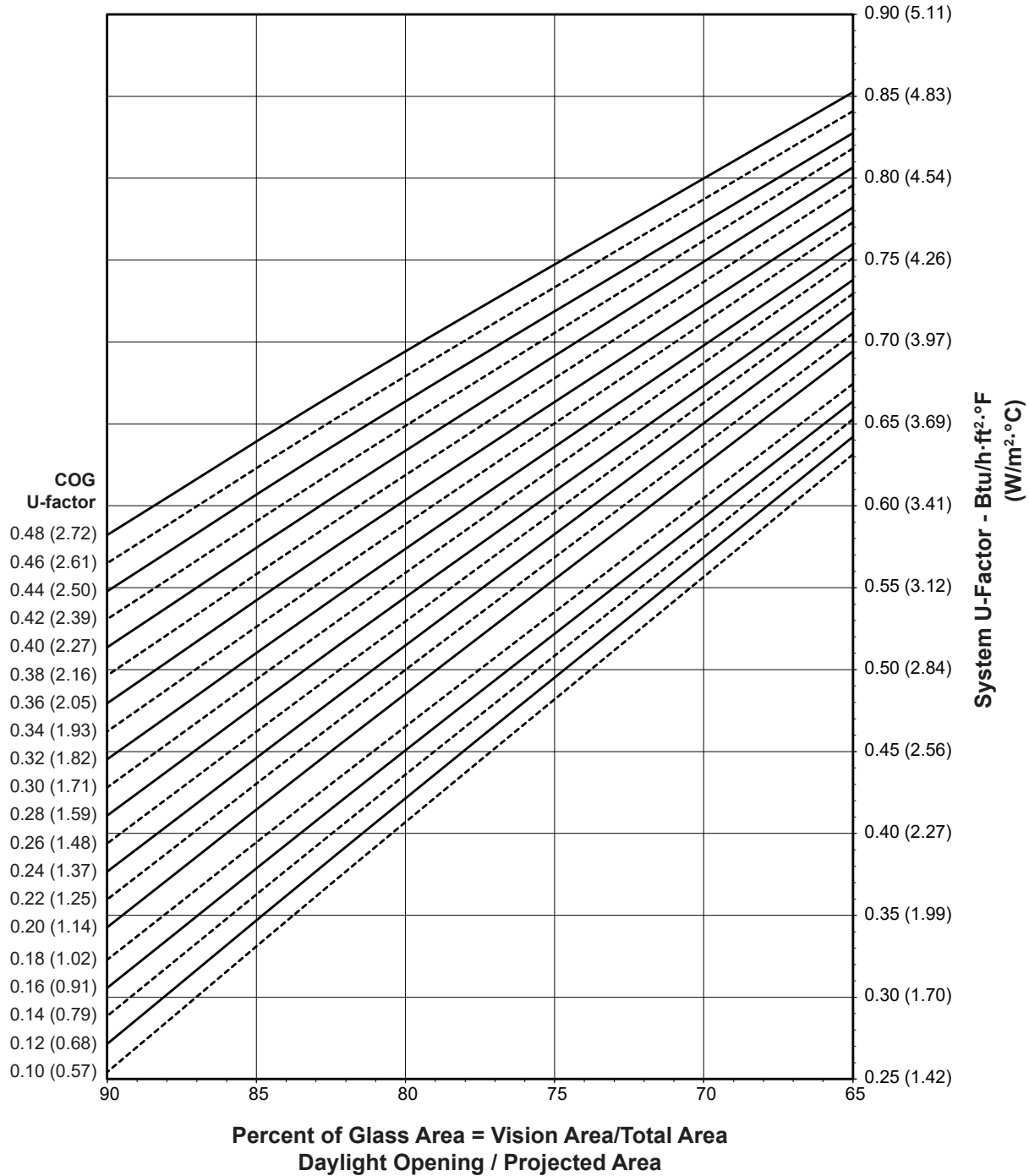
| Glass VT ³ | Overall VT ⁴ |
|-----------------------|-------------------------|
| 0.75 | 0.61 |
| 0.70 | 0.57 |
| 0.65 | 0.53 |
| 0.60 | 0.48 |
| 0.55 | 0.44 |
| 0.50 | 0.40 |
| 0.45 | 0.36 |
| 0.40 | 0.32 |
| 0.35 | 0.28 |
| 0.30 | 0.24 |
| 0.25 | 0.20 |
| 0.20 | 0.16 |
| 0.15 | 0.12 |
| 0.10 | 0.08 |
| 0.05 | 0.04 |

Laws and building and safety codes governing the design and use of Kawneer products, such as glazed entrance, window, and curtain wall products, vary widely. Kawneer does not control the selection of product configurations, operating hardware, or glazing materials, and assumes no responsibility therefor.

Kawneer reserves the right to change configuration without prior notice when deemed necessary for product improvement.
© 2015, Kawneer Company, Inc.

Note:
 Values in parentheses are metric.
 COG=Center of Glass.
 Charts are generated per AAMA 507.

**GLASSvent® - Projecting (Awning - Single)
 1" Double Glazed - Aluminum Glazing Spacer
 System U-Factor for Vision Glass**



Notes for System U-factor, SHGC and VT charts:

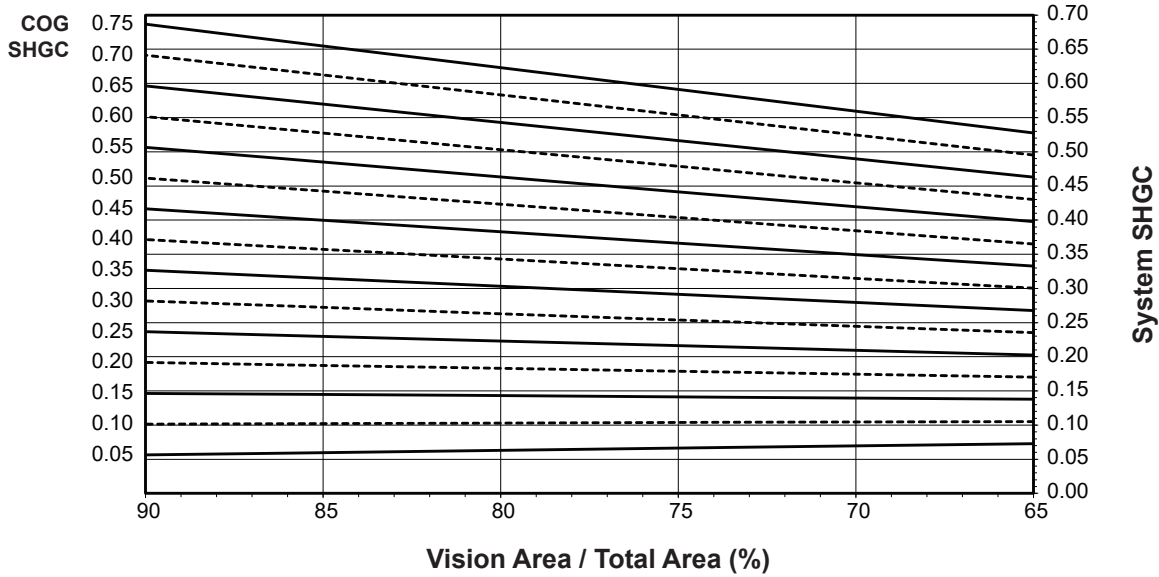
For glass values that are not listed, linear interpolation is permitted.
 Glass properties are based on center of glass values and are obtained from your glass supplier.

Laws and building and safety codes governing the design and use of Kawneer products, such as glazed entrance, window, and curtain wall products, vary widely. Kawneer does not control the selection of product configurations, operating hardware, or glazing materials, and assumes no responsibility therefor.

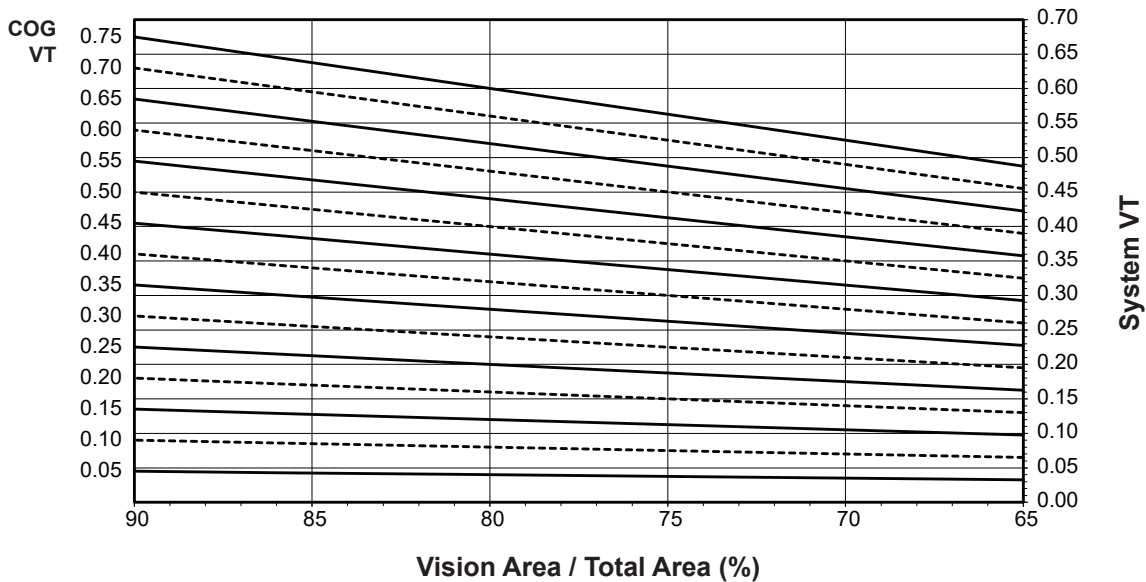
Kawneer reserves the right to change configuration without prior notice when deemed necessary for product improvement.
 © 2015, Kawneer Company, Inc.

GLASSvent® - Projecting (Awning - Single)
1" Double Glazed - Aluminum Glazing Spacer

System Solar Heat Gain Coefficient (SHGC) vs Percent of Vision Area



System Visible Transmittance (VT) vs Percent of Vision Area



Laws and building and safety codes governing the design and use of Kawneer products, such as glazed entrance, window, and curtain wall products, vary widely. Kawneer does not control the selection of product configurations, operating hardware, or glazing materials, and assumes no responsibility therefor.

Kawneer reserves the right to change configuration without prior notice when deemed necessary for product improvement. © 2015, Kawneer Company, Inc.

Thermal Transmittance ¹ (BTU/hr • ft² • °F)

| Glass U-Factor ³ | Overall U-Factor ⁴ |
|-----------------------------|-------------------------------|
| 0.48 | 0.69 |
| 0.46 | 0.67 |
| 0.44 | 0.65 |
| 0.42 | 0.64 |
| 0.40 | 0.62 |
| 0.38 | 0.61 |
| 0.36 | 0.59 |
| 0.34 | 0.58 |
| 0.32 | 0.56 |
| 0.30 | 0.55 |
| 0.28 | 0.53 |
| 0.26 | 0.52 |
| 0.24 | 0.50 |
| 0.22 | 0.49 |
| 0.20 | 0.47 |
| 0.18 | 0.45 |
| 0.16 | 0.44 |
| 0.14 | 0.42 |
| 0.12 | 0.41 |
| 0.10 | 0.39 |

GLASSvent® Projecting (Awning - Single) 1" Double Glazed Aluminum Glazing Spacer

NOTE: For glass values that are not listed, linear interpolation is permitted.

1. U-Factors are determined in accordance with NFRC 100.
2. SHGC and VT values are determined in accordance with NFRC 200.
3. Glass properties are based on center of glass values and are obtained from your glass supplier.
4. Overall U-Factor, SHGC, and VT Matricies are based on the standard NFRC specimen size of 1,500 mm wide by 600 mm high (59-11/16" by 23-5/8").

SHGC Matrix ²

| Glass SHGC ³ | Overall SHGC ⁴ |
|-------------------------|---------------------------|
| 0.75 | 0.63 |
| 0.70 | 0.59 |
| 0.65 | 0.55 |
| 0.60 | 0.51 |
| 0.55 | 0.47 |
| 0.50 | 0.43 |
| 0.45 | 0.39 |
| 0.40 | 0.35 |
| 0.35 | 0.30 |
| 0.30 | 0.26 |
| 0.25 | 0.22 |
| 0.20 | 0.18 |
| 0.15 | 0.14 |
| 0.10 | 0.10 |
| 0.05 | 0.06 |

Visible Transmittance ²

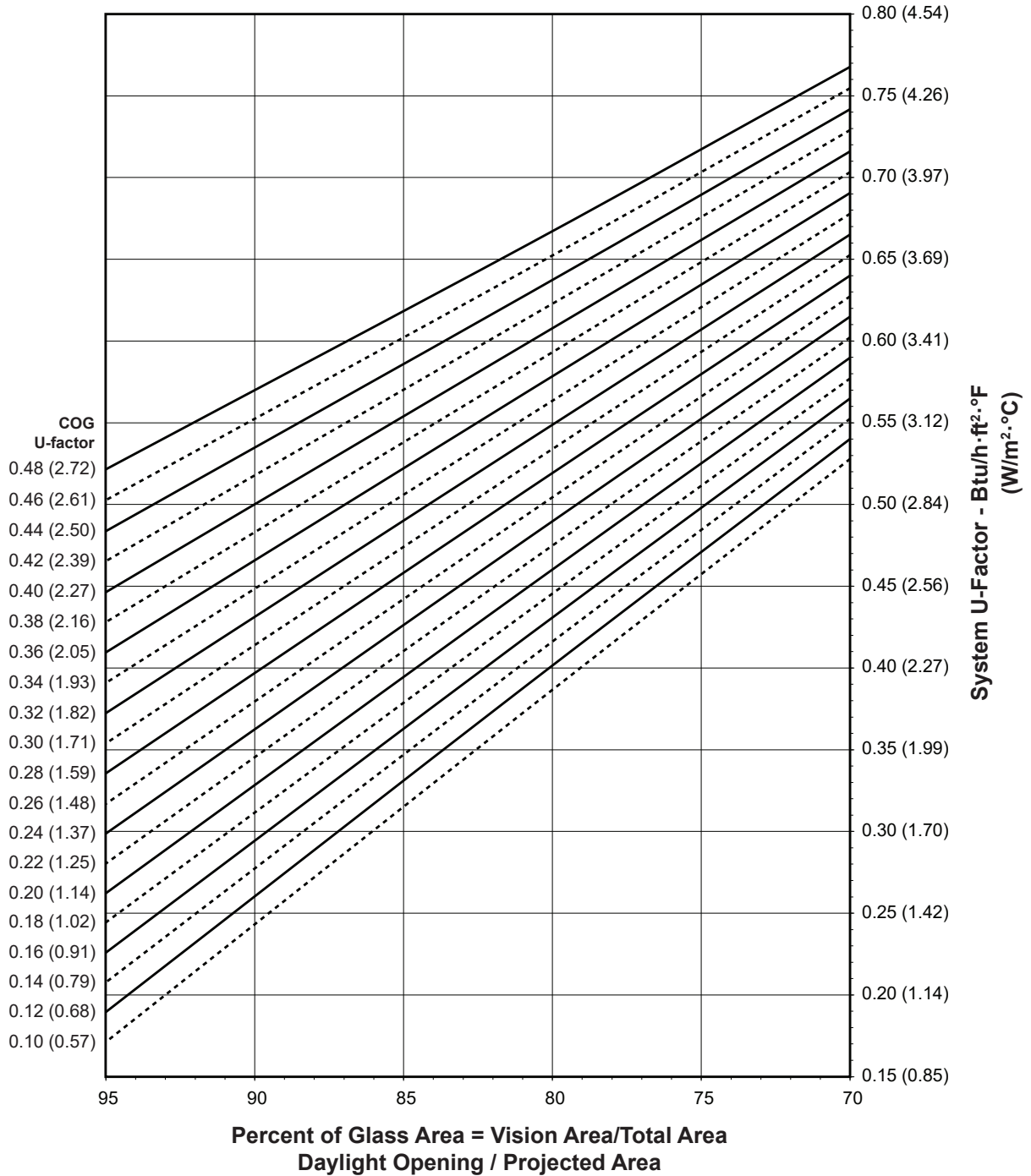
| Glass VT ³ | Overall VT ⁴ |
|-----------------------|-------------------------|
| 0.75 | 0.61 |
| 0.70 | 0.57 |
| 0.65 | 0.53 |
| 0.60 | 0.48 |
| 0.55 | 0.44 |
| 0.50 | 0.40 |
| 0.45 | 0.36 |
| 0.40 | 0.32 |
| 0.35 | 0.28 |
| 0.30 | 0.24 |
| 0.25 | 0.20 |
| 0.20 | 0.16 |
| 0.15 | 0.12 |
| 0.10 | 0.08 |
| 0.05 | 0.04 |

Laws and building and safety codes governing the design and use of Kawneer products, such as glazed entrance, window, and curtain wall products, vary widely. Kawneer does not control the selection of product configurations, operating hardware, or glazing materials, and assumes no responsibility therefor.

Kawneer reserves the right to change configuration without prior notice when deemed necessary for product improvement.
© 2015, Kawneer Company, Inc.

Note:
 Values in parentheses are metric.
 COG=Center of Glass.
 Charts are generated per AAMA 507.

GLASSvent® - Casement (Single Vent)
1" Double Glazed - Warm-Edge Glazing Spacer
System U-Factor for Vision Glass



Notes for System U-factor, SHGC and VT charts:

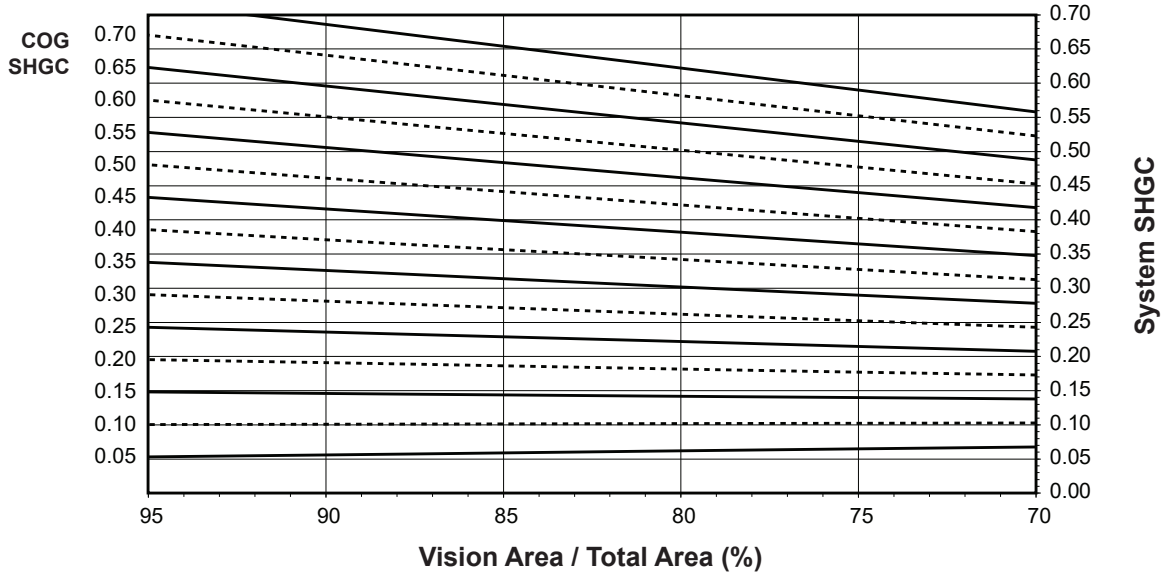
For glass values that are not listed, linear interpolation is permitted.
 Glass properties are based on center of glass values and are obtained from your glass supplier.

Laws and building and safety codes governing the design and use of Kawneer products, such as glazed entrance, window, and curtain wall products, vary widely. Kawneer does not control the selection of product configurations, operating hardware, or glazing materials, and assumes no responsibility therefor.

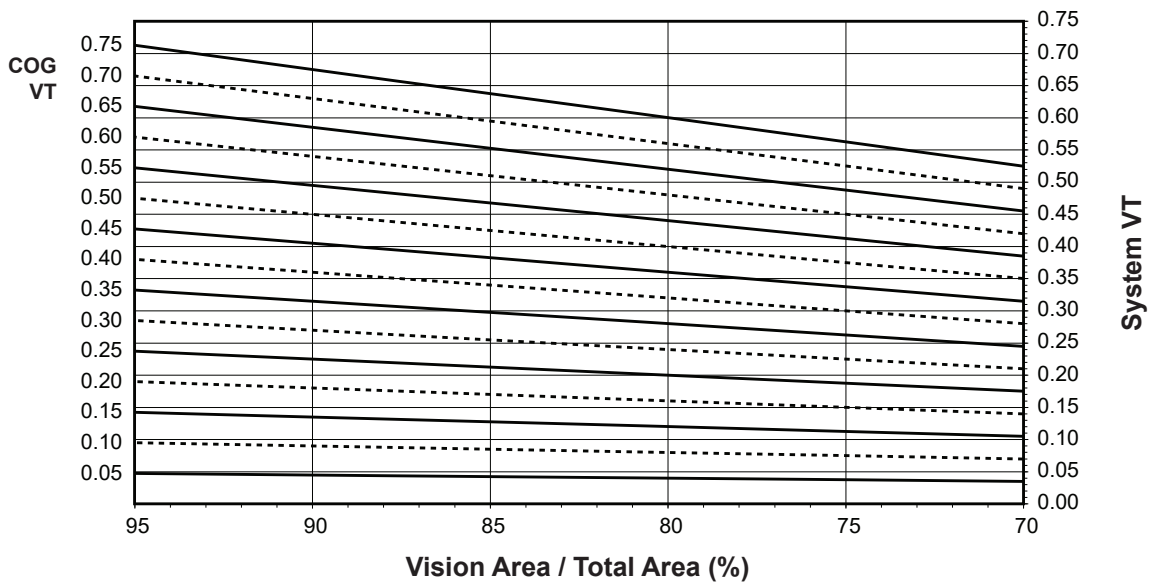
Kawneer reserves the right to change configuration without prior notice when deemed necessary for product improvement.
 © 2015, Kawneer Company, Inc.

**GLASSvent® - Casement (Single Vent)
1" Double Glazed - Warm-Edge Glazing Spacer**

System Solar Heat Gain Coefficient (SHGC) vs Percent of Vision Area



System Visible Transmittance (VT) vs Percent of Vision Area



Laws and building and safety codes governing the design and use of Kawneer products, such as glazed entrance, window, and curtain wall products, vary widely. Kawneer does not control the selection of product configurations, operating hardware, or glazing materials, and assumes no responsibility therefor.

Kawneer reserves the right to change configuration without prior notice when deemed necessary for product improvement.
© 2015, Kawneer Company, Inc.

Thermal Transmittance ¹ (BTU/hr • ft ² • °F)

| Glass U-Factor ³ | Overall U-Factor ⁴ |
|-----------------------------|-------------------------------|
| 0.48 | 0.66 |
| 0.46 | 0.64 |
| 0.44 | 0.63 |
| 0.42 | 0.61 |
| 0.40 | 0.60 |
| 0.38 | 0.58 |
| 0.36 | 0.57 |
| 0.34 | 0.55 |
| 0.32 | 0.54 |
| 0.30 | 0.52 |
| 0.28 | 0.51 |
| 0.26 | 0.49 |
| 0.24 | 0.48 |
| 0.22 | 0.46 |
| 0.20 | 0.45 |
| 0.18 | 0.43 |
| 0.16 | 0.42 |
| 0.14 | 0.40 |
| 0.12 | 0.39 |
| 0.10 | 0.38 |

**GLASSvent®
Casement (Single Vent)
1" Double Glazed
Warm-Edge Glazing Spacer**

NOTE: For glass values that are not listed, linear interpolation is permitted.

1. U-Factors are determined in accordance with NFRC 100.
2. SHGC and VT values are determined in accordance with NFRC 200.
3. Glass properties are based on center of glass values and are obtained from your glass supplier.
4. Overall U-Factor, SHGC, and VT Matrices are based on the standard NFRC specimen size of 600 mm wide by 1,500 mm high (23-5/8" by 59-1/16").

SHGC Matrix ²

| Glass SHGC ³ | Overall SHGC ⁴ |
|-------------------------|---------------------------|
| 0.75 | 0.63 |
| 0.70 | 0.59 |
| 0.65 | 0.55 |
| 0.60 | 0.51 |
| 0.55 | 0.47 |
| 0.50 | 0.43 |
| 0.45 | 0.38 |
| 0.40 | 0.34 |
| 0.35 | 0.30 |
| 0.30 | 0.26 |
| 0.25 | 0.22 |
| 0.20 | 0.18 |
| 0.15 | 0.14 |
| 0.10 | 0.10 |
| 0.05 | 0.06 |

Visible Transmittance ²

| Glass VT ³ | Overall VT ⁴ |
|-----------------------|-------------------------|
| 0.75 | 0.61 |
| 0.70 | 0.57 |
| 0.65 | 0.53 |
| 0.60 | 0.48 |
| 0.55 | 0.44 |
| 0.50 | 0.40 |
| 0.45 | 0.36 |
| 0.40 | 0.32 |
| 0.35 | 0.28 |
| 0.30 | 0.24 |
| 0.25 | 0.20 |
| 0.20 | 0.16 |
| 0.15 | 0.12 |
| 0.10 | 0.08 |
| 0.05 | 0.04 |

Laws and building and safety codes governing the design and use of Kawneer products, such as glazed entrance, window, and curtain wall products, vary widely. Kawneer does not control the selection of product configurations, operating hardware, or glazing materials, and assumes no responsibility therefor.

Kawneer reserves the right to change configuration without prior notice when deemed necessary for product improvement.
© 2015, Kawneer Company, Inc.

Laws and building and safety codes governing the design and use of Kawneer products, such as glazed entrance, window, and curtain wall products, vary widely. Kawneer does not control the selection of product configurations, operating hardware, or glazing materials, and assumes no responsibility therefor.

Kawneer reserves the right to change configuration without prior notice when deemed necessary for product improvement.
© 2015, Kawneer Company, Inc.